

DRAWING NUMBER ISSUE
366SA 03A



LINKSIDE HOUSE
 SUMMIT ROAD
 CRANBORNE IND EST
 POTTERS BAR
 HERTS
 EN6 3JB
 Tel 01707 660667
 Fax 01707 660755

TITLE: **POWER SUPPLY**

SHEET 1 OF 10
 FILENAME: **366SA-03A.SCH**

DRAWN: **AW**

DATE: **26-02-99**

CHECKED:

MATERIAL:

FINISH:

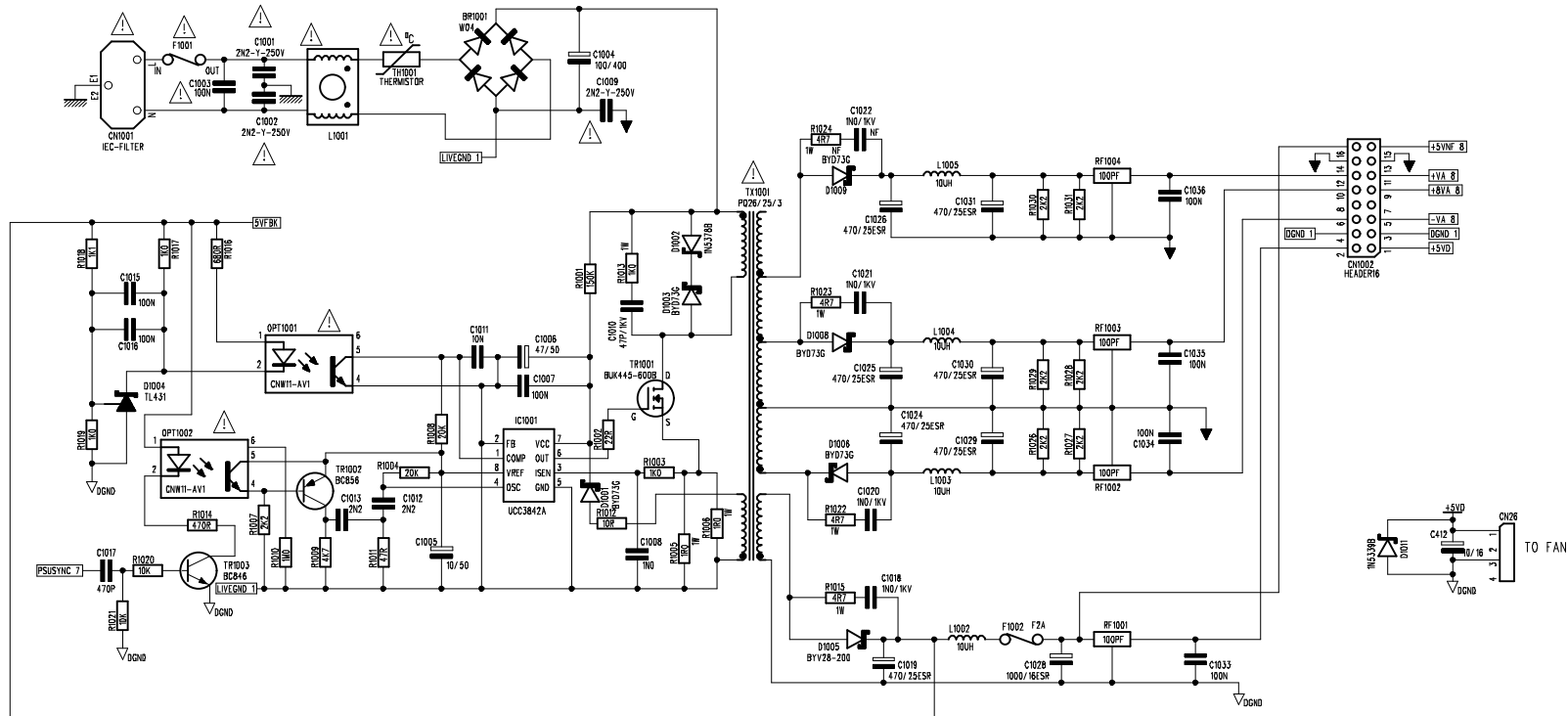
ISSUE COMMENTS:

1. PRE-PRODUCTION RELEASE 26-02-99
2. PROTOTYPE ONLY 01-06-99
3. ECN0171 PRODUCTION RELEASE 10-6-99
4. ECN0198 29/07/99

A2

PART NUMBER:

THIS DRAWING IS THE COPYRIGHT OF BSS Audio Ltd. ALL REPRODUCTION AND COPYING, OTHER THAN THAT FOR LICENCED MANUFACTURERS OWN INTERNAL USE, OR DISCLOSURE OF PART OR WHOLE TO A THIRD PARTY WITHOUT PRIOR WRITTEN AUTHORISATION IS IN VIOLATION OF THE COPYRIGHT.
 © BSS Audio Ltd 1994



ANY COMPONENT BEARING THIS MARK IS SAFETY CRITICAL PLEASE REFER TO SERVICE MANUAL

DRAWING NUMBER ISSUE
366SA 03A

BSS
 LINKSIDE HOUSE
 SUMMIT ROAD
 CRANBORNE IND EST
 POTTERS BAR
 HERTS
 EN6 3JH
 Tel 01707 660667
 Fax 01707 660755

TITLE: **OUTPUTS 1-4**

SHEET 2

FILENAME: **366SA-03A.SCH**

DRAWN: **AW**

DATE: **10-09-98**

CHECKED:

MATERIAL:

FINISH:

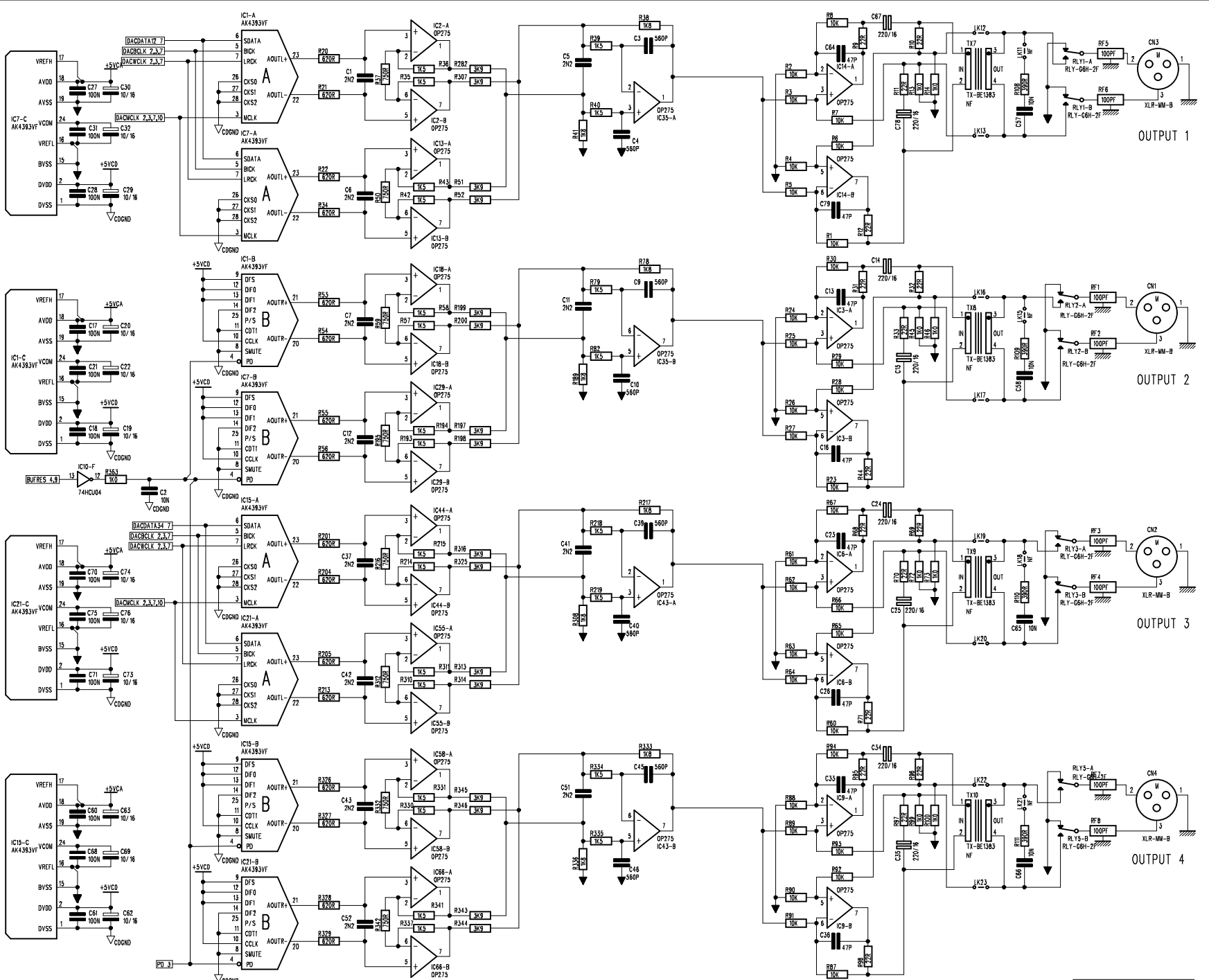
ISSUE COMMENTS:

1. PRE-PRODUCTION RELEASE 26-02-99
2. PROTOTYPE ONLY 01-06-99
3. ECN0171 PRODUCTION RELEASE 10-6-99
4. ECN0198 29/07/99

A2

PART NUMBER:

THIS DRAWING IS THE COPYRIGHT OF BSS Audio Ltd. ALL REPRODUCTION AND COPYING, OTHER THAN THAT FOR LICENCED MANUFACTURERS OWN INTERNAL USE, OR DISCLOSURE OF PART OR WHOLE TO A THIRD PARTY WITHOUT PRIOR WRITTEN AUTHORISATION IS IN VIOLATION OF THE COPYRIGHT. © BSS Audio Ltd 1994



ANY COMPONENT BEARING THIS MARK IS SAFETY CRITICAL PLEASE REFER TO SERVICE MANUAL

DRAWING NUMBER ISSUE
366SA 03A



LINKSIDE HOUSE
 SUMMIT ROAD
 CRANBORNE IND EST
 POTTERS BAR
 HERTS
 EN6 3JH

Tel 01707 660667
 Fax 01707 660755

TITLE: **OUTPUTS 5-6**

SHEET 3

FILENAME: **366SA-03A.SCH**

DRAWN: **AW**

DATE: **26-02-99**

CHECKED:

MATERIAL:

FINISH:

ISSUE COMMENTS:

1. PRE-PRODUCTION RELEASE 26-02-99
2. PROTOTYPE ONLY 01-06-99
3. ECN0171 PRODUCTION RELEASE 10-6-99
4. ECN0198 29/07/99

A2

PART NUMBER:

THIS DRAWING IS THE COPYRIGHT OF BSS Audio Ltd. ALL REPRODUCTION AND COPYING, OTHER THAN THAT FOR LICENCED MANUFACTURERS OWN INTERNAL USE, OR DISCLOSURE OF PART OR WHOLE TO A THIRD PARTY WITHOUT PRIOR WRITTEN AUTHORISATION IS IN VIOLATION OF THE COPYRIGHT. © BSS Audio Ltd 1994

